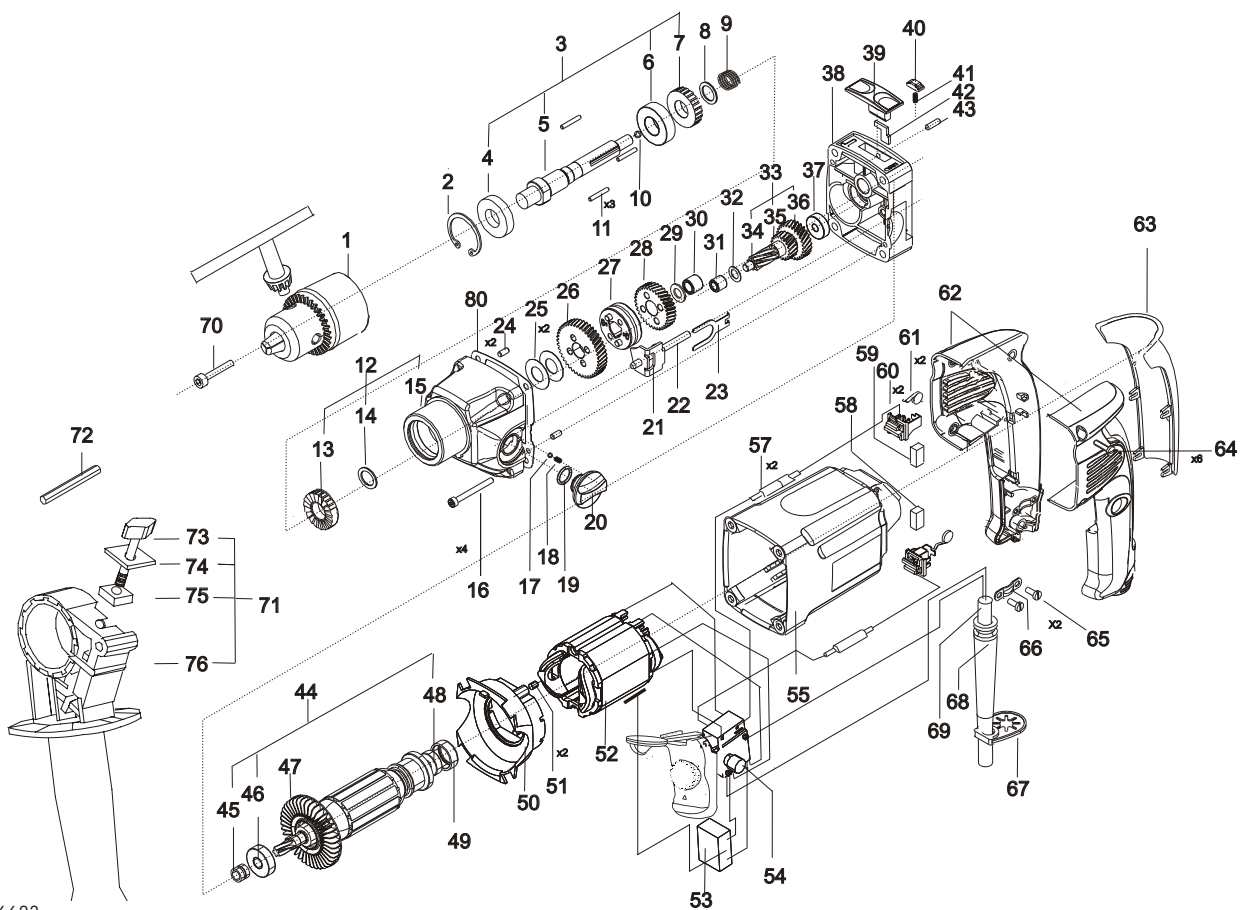


POS. No.	Ref.No.	Description	POS. No.	Ref.No.	Description
1	124612	Chuck 16M	39	151961	Slide
2	890311	Circlip J32x1,2	40	119814	Fixing bit
3	124075	Spindle set	41	130580	Spring
4	330266	Gasket R15x32x7UEN TREC00150	42	116831	Plate
5	124077	Spindle	43	116884	Pin
6	330014	Bearing 6002-2Z	44	151972	Armature set
7	119185	Hammer bush	45	130581	Bush
8	140005	Washer	46	330942	Bearing 609 2RSL P63 LDS18SpA
9	119022	Spring	47	152579	Fan
10	330074	Pellet 5-200	48	330582	Bearing 6262ZP6E LDS18 SKF
11	330267	Needle for bearing B3x19.8 G	49	129087	Elastic sleeve
12	143290	Gear box set	50	151969	Diffuser
13	119187	Hammer bush	51	151947	Claming pin
14	115958	Spacer washer	52	151982	Stator set
15	151953	Gear box	53	152856	Capacitor
16	361409	Screw K5X45 TORX 20	54	173348	Switch Defond DGQ 1106HOHBR
17	330073	Pellet 3,5-200	55	152837	Body
18	130580	Spring	57	153323	Choke 7uH,6A,250V
19	330339	O-ring 2-11x2-2	58	153057	Brush with a switch
20	127842	Gear switch	59	153056	Brush
21	151959	Switching plate	60	151971	Brush holder set
22	122440	Axle	61	254364	Spiral spring
23	122444	Locking panel	62	151966	Casing handle set
24	115865	Pin	63	154354	Insert
25	117848	Spacer washer	64	361425	Screw K4X16 TORX 20
26	122427	Spindle gear I	65	361360	Screw K 4X9.5 TORX 20
27	124078	Clutch set	66	256500	Cord clamp
28	122434	Spindle gear II	67	114292	Key holder
29	122435	Spacer washer	68	206687	Cord protector
30	330233	Bearing HK0810RS	69	158698	Cord with a plug euro plug RAL 3020
31	330119	Bearing HK0609	70	360582	Screw M6LHX30-8.8
32	140033	Spacer washer	71	121152	Handle set
33	122436	Gear shaft set	72	121134	Depth gauge
34	122437	Gear shaft	73	121306	Butterfly screw set
35	122438	Spindle gear II for Gear shaft	74	271221	Plate
36	122439	Large intermediate gear	75	114032	Nut M6
37	330017	Bearing 626	76	121133	Handle
38	143291	Bearing shield			



166683

143440